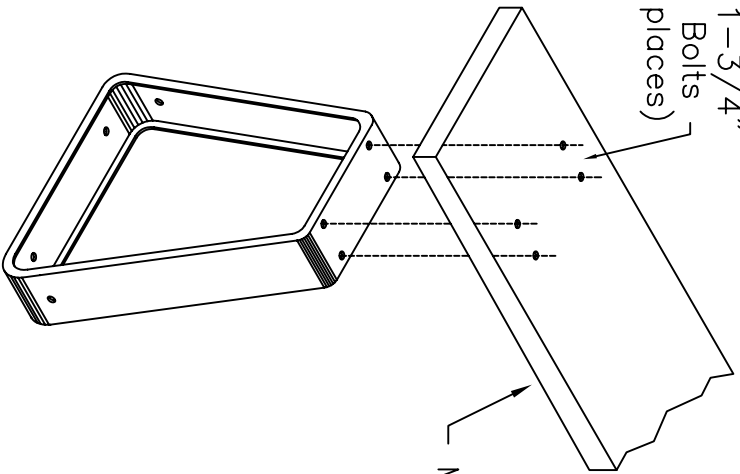


1/4" x 1-3/4"
Carriage Bolts
Typ. (4 places)

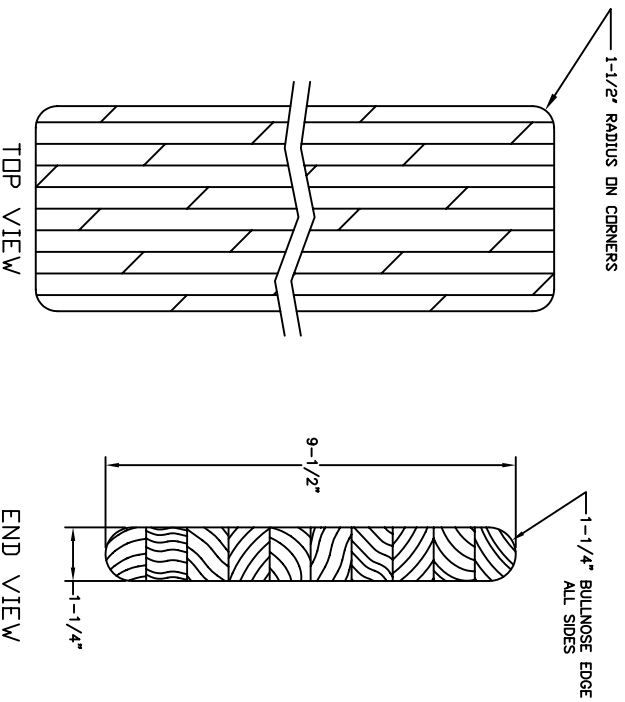


Maple Bench

REQUIREMENTS PER BENCH SIZE.

Movable benches under 6 ft. are not available.

6ft.-8ft. 2 REQ'D.
9ft.-12ft. 3 REQ'D.



7" IS STANDARD FROM
EDGE OF BENCH TO
CENTER OF BOLT.

2" IS STANDARD FROM
CENTER OF BOLT TO
CENTER OF BOLT.

9ft.-12ft. CENTER BETWEEN
PEDESTALS.