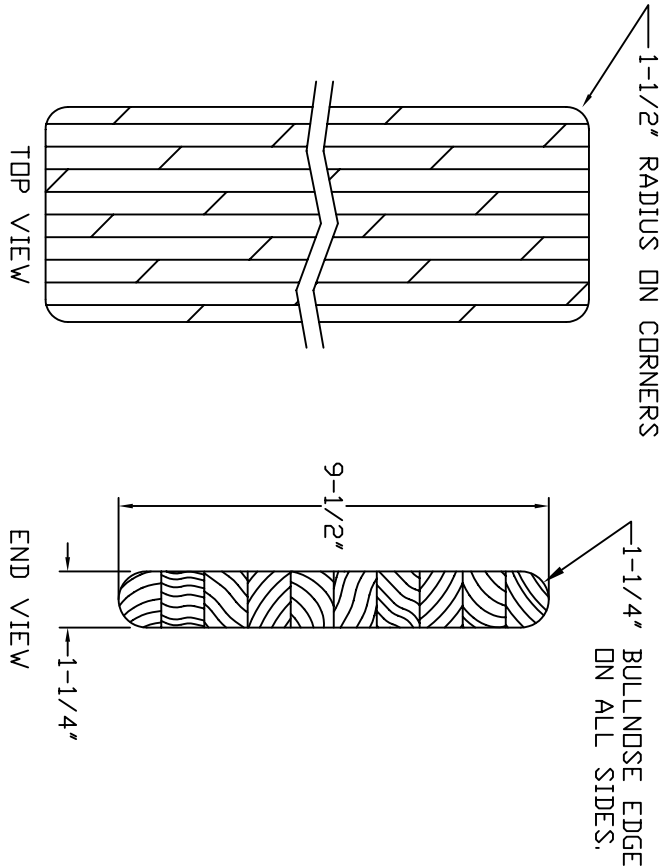


1 1/2" STD. PIPE THREAD (TAPERED)

STRAIGHT LINE THREAD THIS END.

REQUIREMENTS PER BENCH SIZE.

4ft.-8ft. 2 REQ'D.  
9ft.-12ft. 3 REQ'D.



1-1/2" RADIUS ON CORNERS

1-1/4" BULLNOSE EDGE ON ALL SIDES.

8" IS STANDARD FROM EDGE OF BENCH TO CENTER OF PEDESTAL.

CENTER BETWEEN PEDESTALS